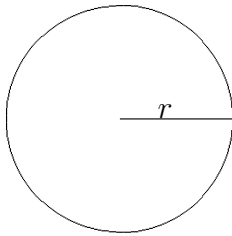


# Think Radian Worksheet

Name: \_\_\_\_\_

1. What is the circumference?



2. If you measured the circumference in terms of the circle's own radius ( $r$ ), how many are there going once around the circle ( $360^\circ$ )

3. How many radians are there in  $360^\circ$ ?

4. How many radians are there in a straight angle ( $180^\circ$ )?

5. How many radians in a right angle?

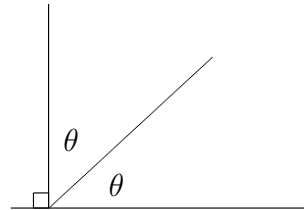
6. How many radians is each angle of an equilateral triangle?

7. The minute hand of a clock travels how many radians in 15 minutes?

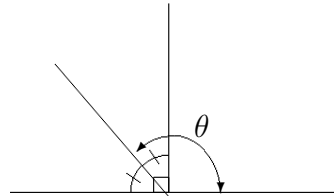
8. The minute hand of a clock travels how many radians in 10 minutes?

9. The minute hand of a clock travels how many radians in 5 minutes?

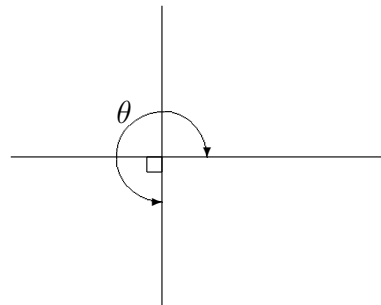
10. The measure of  $\theta$  (in radians):



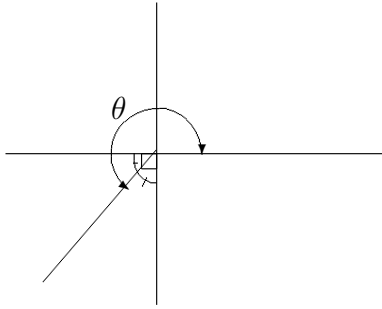
11. What is the measure of  $\theta$  (in radians)?



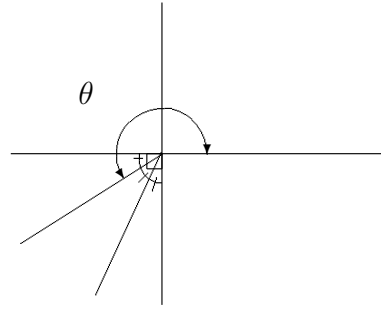
12. What is the measure of  $\theta$  (in radians)?



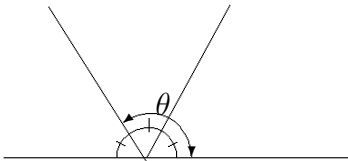
13. What is the measure of  $\theta$  (in radians)?



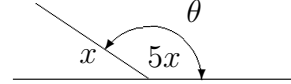
17. What is the measure of  $\theta$  (in radians)?



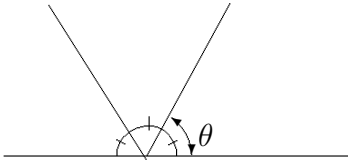
14. What is the measure of  $\theta$  (in radians)?



18. What is the measure of  $\theta$  (in radians)?



15. What is the measure of  $\theta$  (in radians)?

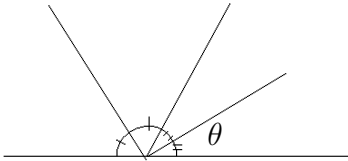


19.  $\frac{\pi}{3}$  radians is how many degrees?

20.  $\frac{\pi}{6}$  radians is how many degrees?

21.  $\frac{\pi}{2}$  radians is how many degrees?

16. What is the measure of  $\theta$  (in radians)?



22.  $\frac{\pi}{4}$  radians is how many degrees?

23.  $\frac{3\pi}{4}$  radians is how many degrees?

24.  $\frac{2\pi}{3}$  radians is how many degrees?